

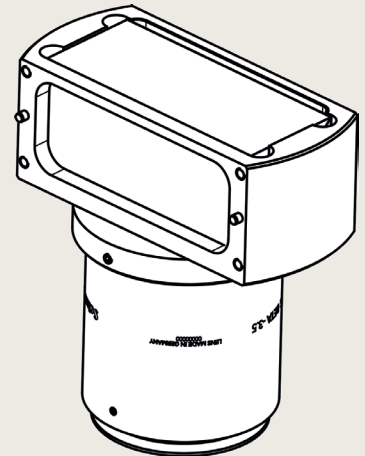
Macro Varon 4.5/85

With beam splitter



The Macro Varon 4.5/85 with beam splitter is designed to be used in line scan applications where coaxial illumination is required. The 60 mm beam splitter cube offers the opportunity to create an in-line illumination for high reflective objects. Coaxial illumination is ideal for demanding circuit boards and other high resolution applications where a bright, diffuse uniform illumination is needed. This lens offers a high optical performance at a 3.5x magnification over the entire field.

The lens design considers the optical glass path of the high quality beam splitter to achieve a top performance. Lens and beam splitter assembly are precisely aligned to each other, so that a maximum of light is captured and directed to the image plane of 12 k cameras with 5 μ m pixel size, with almost no loss at the image edges. Also available without beam splitter with 0.5x to 2.0x variable magnification.



Macro Varon 4.5/85

Key features

- Optimized for 12 k cameras with 5 μ m pixel sizes
- 3.5x magnification
- Separate azimuth alignment of beam splitter and lens
- V-Mount connection

Applications

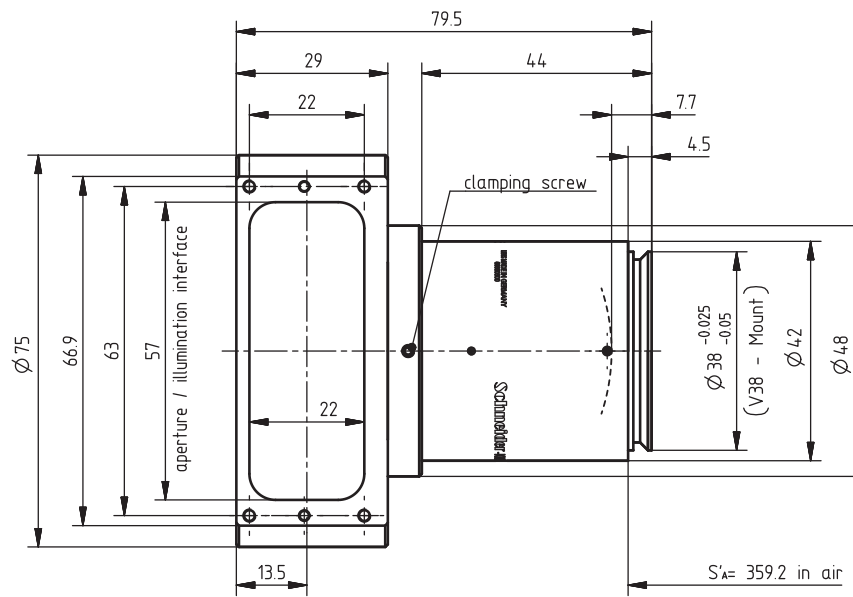
- BCB inspection
- Flat glass inspection
- Wafer inspection
- Line scan applications

Name	Macro Varon 4.5/85
Type	-0017
Focal Length [mm]	85
Magnification	-3.5
Image circle [mm]	62
Resolution [μ m]	-
F/# range	4.5 ... 8
NA	0.03
Interface	V38-Mount
Working distance [mm]	95
AoV [°]	9
Focus control	manual
Transmission [nm]	400 - 1000
Filter thread [mm]	-
Dimensions L x D [mm]	79.5 x 75.0

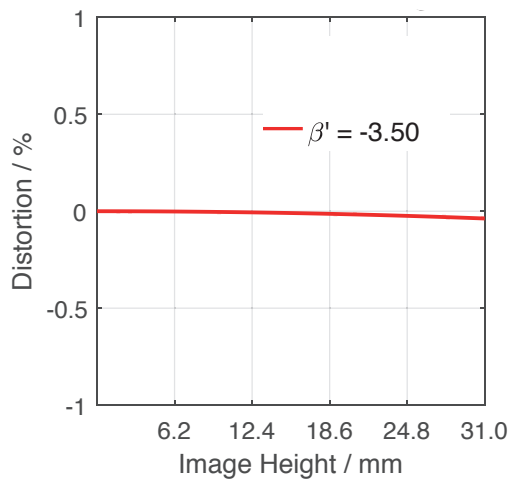
Name	Macro Varon 4.5/85
Weight [g]	410
Storage temperature [°C]	-25 ... +70
f'_{eff} [mm]	85.18
S_F [mm]	-68.85
$S'_{F'}$ [mm]	64.36
HH' [mm]	3.13
β'_p	1.037
S_{EP} [mm]	48.28
S'_{AP} [mm]	-24.20
Σd [mm]	40.28
ID	1069837

Macro Varon 4.5/85

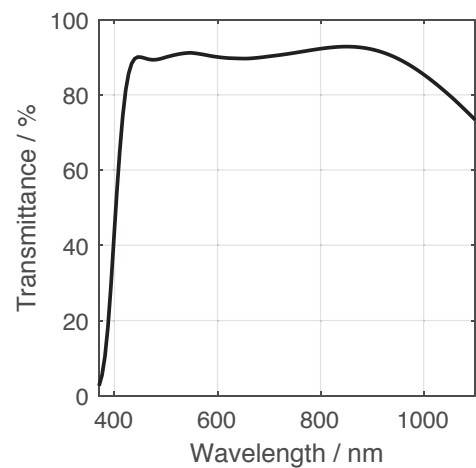
With beam splitter



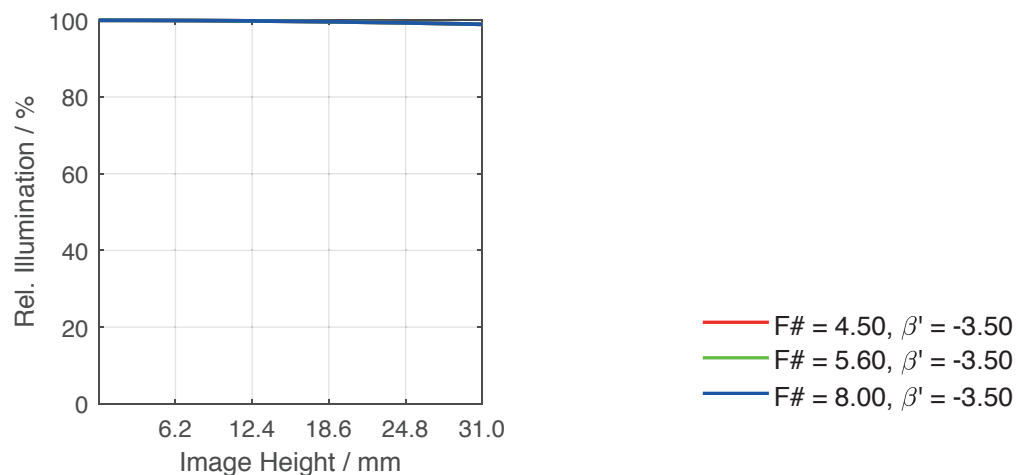
Distortion vs. Image Height



Transmittance vs. Wavelength



Relative Illumination vs. Image Height

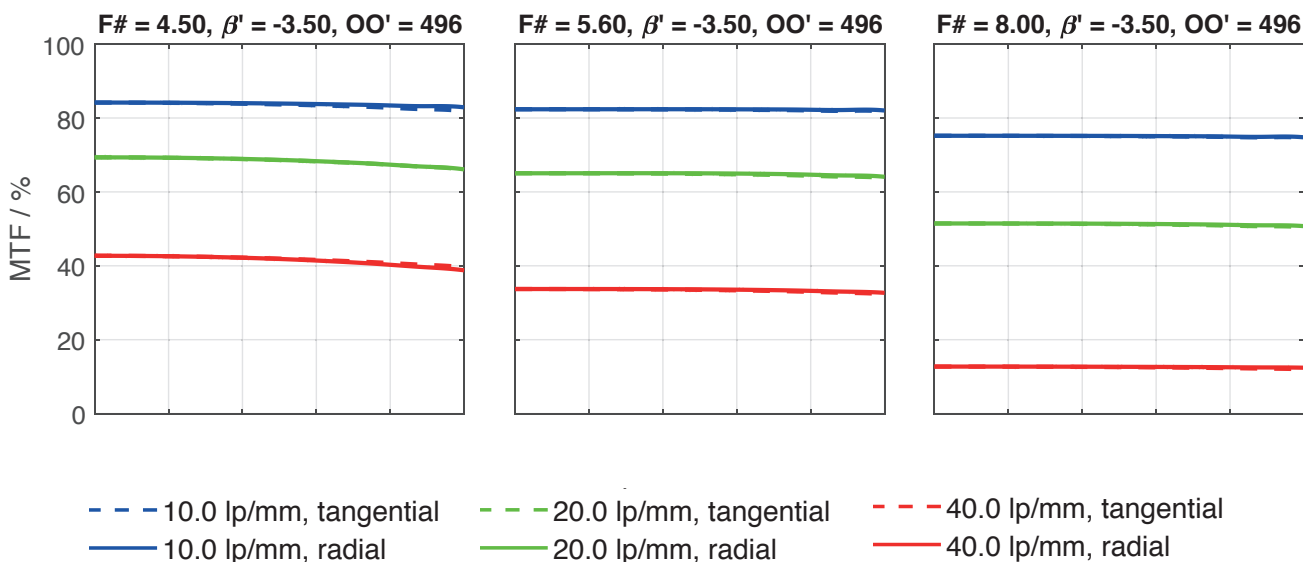


Macro Varon 4.5/85

With beam splitter



Spectrum Name	VIS					
Wavelengths [nm]	425	475	525	575	625	675
Weights	8	16	23	22	19	13



Macro Varon 4.5/85

With beam splitter



Accessories	Mount	Length	ID
Makro	UNIFOC 12 V38/V38	-	11726
	UNIFOC 7 V38/V38	-	1001041
	UNIFOC 7 (M58 x 0.75)	-	1054532
Ext. Tube	V38 / V38	6 mm	20176
	V38 / V38	8 mm	20177
	V38 / V38	10 mm	20178
	V38 / V38	25 mm	20179
	V38 / V38	50 mm	20154
	V38 / V38	75 mm	20155
Adapter	V38 / C-Mount	-	20052
	V38 / C-Mount Hub 19.2 - 24.2 mm	-	1011634
	V38 / Leica (M39 x 26 Gg.)	-	20054
	V38 / T2 (M42 x 0,75)	-	20053
	V38 / M42 x 1	-	20059
	V38 / M42 x 1 - Length 35 mm	-	1001692
	V38 / M58 x 0,75	-	1018385
	V38 / Nikon F-Mount	-	21610

Get more information

Contact our local offices



Headquarter Germany

Jos. Schneider Optische Werke GmbH

Ringstraße 132

55543 Bad Kreuznach

☎ +49 671 601 205

✉ cs@schneiderkreuznach.com

www.schneiderkreuznach.com

Offices Worldwide

China

☎ +86 755 8832 1170

✉ shawn.liu@schneider-asiapacific.com

North America

☎ +1 800 645 7239 (East Coast)

☎ +1 800 228 1254 (West Coast)

✉ info@schneideroptics.com

Singapore

☎ +65 9488 0062

✉ thongv@schneiderkreuznach.com