

# V-Mount Macro Lens

## Makro-Symmar 5.6/80-0033

Unlike conventional camera lenses where the optical performance decreases as the magnification increases, Schneider-Kreuznach macro lenses have been developed and corrected exclusively for the close-up range of 1:20 to 1:1. Due to its mechanical stability and the robust V-mount interface enabling simpler adjustment of the best azimuth position, the system is exceptionally well suited to demanding, continuous industrial use.



Makro-Symmar 5.6/80

### Key Features

- Excellent optical imaging performance when using large sensors
- Vibration-insensitive for stable optical performance
- Industry-compatible V-mount interface
- Lockable distance and aperture settings
- Continuous aperture adjustment, guaranteed long-term stability
- 100% quality control guarantees reliability and constant quality
- Low maintenance requirements, therefore high system reliability

### Applications

- Machine Vision and other imaging applications
- PCB inspection
- LCD inspection
- OLED inspection
- Solar inspection

### Technical Specifications

F-number	5.6
Focal length	82.4 mm
Image circle	141.2 mm
Magnification	1:20 to 1:1, optimized for -1.0
Transmission	400 - 700 nm
Interface	V38-Mount
Weight	136 gr.
Filter thread	M37 x 0.75
Code no.	1070160

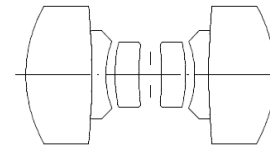
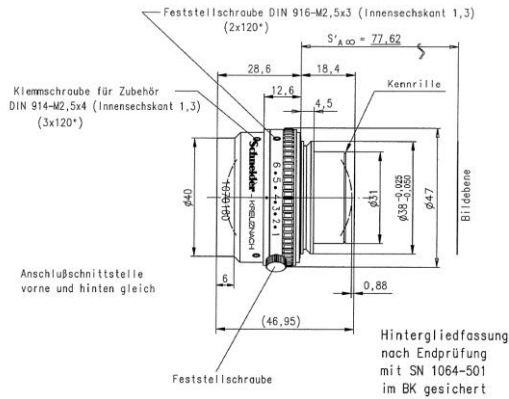
### Contact

Jos. Schneider Optische Werke GmbH  
 Ringstraße 132  
 55543 Bad Kreuznach  
 Germany  
 Phone +49 671 601-205  
 Fax +49 671 601-286  
[www.schneiderkreuznach.com](http://www.schneiderkreuznach.com)  
[industrie@schneiderkreuznach.com](mailto:industrie@schneiderkreuznach.com)

Schneider Optical Technologies Co., Ltd.  
 Rm. A505 Yingdali Science Park, Hongmian Rd.,  
 Futian Free Trade Zone, Shenzhen 518038,  
 P.R. China  
 Phone: +86 755 88 32 11 70  
 Fax: +86 755 88 32 11 75  
[www.schneiderkreuznach.com](http://www.schneiderkreuznach.com)  
[info@schneider-asiapacific.com](mailto:info@schneider-asiapacific.com)

Schneider Optics Inc.  
 285 Oser Ave.  
 Hauppauge, NY 11788  
 USA  
 Phone +1 631 761-5000  
 Fax +1 631 761-5090  
[www.schneideroptics.com/industrial](http://www.schneideroptics.com/industrial)  
[industrial@schneideroptics.com](mailto:industrial@schneideroptics.com)

# Makro-Symmar 5.6/80



## MAKRO-SYMMAR 5.6/80

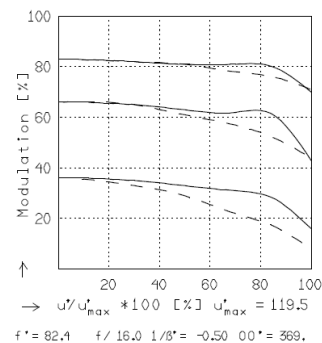
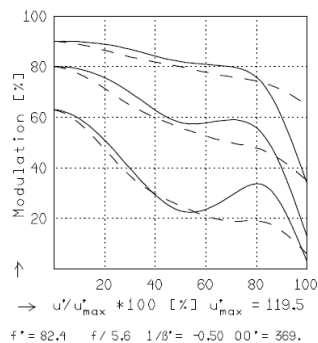
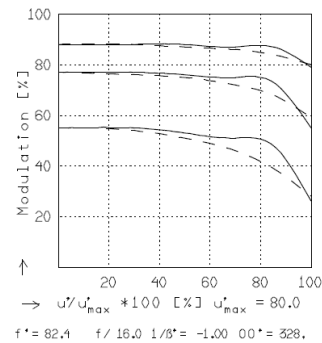
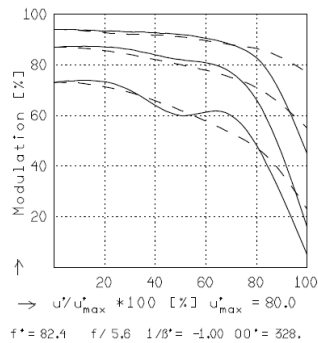
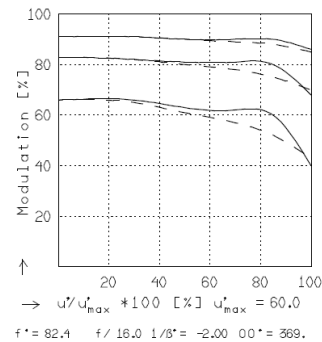
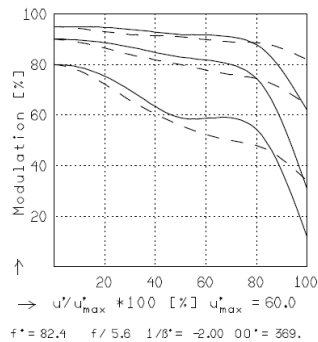
$f' = 82.4 \text{ mm}$	$\beta_p = 1.000$
$s_F = -60.1 \text{ mm}$	$s_{EP} = 22.2 \text{ mm}$
$s_{F'} = 60.1 \text{ mm}$	$s_{AP} = -22.3 \text{ mm}$
$HH' = -1.3 \text{ mm}$	$\Sigma d = 43.2 \text{ mm}$

## MAKRO-SYMMAR 5.6/80

MODULATION with reference to the relative image height

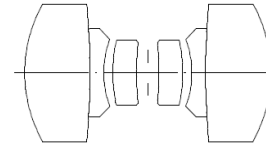
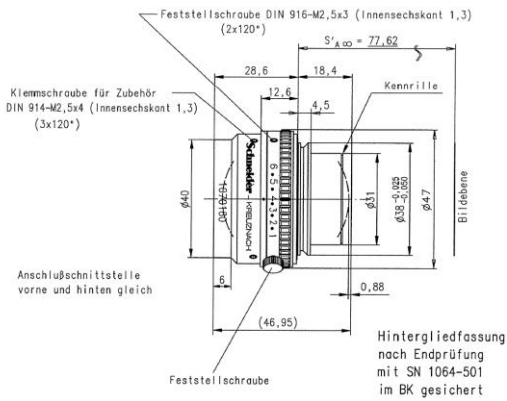
Wavelength $\lambda$ [nm] :	546	644	588	480	436	405
Spectral weighting [%] :	24.6	18.6	22.1	12.4	15.2	7.1
Spatial frequency R [1/mm] :	5	10	20			
Image- $\emptyset$ f / 5.6	[mm] :	160.0				
Image- $\emptyset$ f / 16.0	[mm] :	160.0				

radial —  
tangential - -



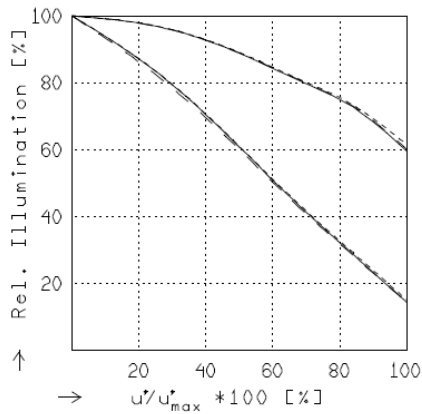
Focusing :  $MTF_{\text{max}}$  at  $f / 5.6 \quad R = 20 \quad 1/\text{mm} \quad u'/u'_{\text{max}} = 0$

# Makro-Symmar 5.6/80



## MAKRO-SYMMAR 5.6/80

$f^*$ = 82.4 mm	$\beta_p^*$ = 1.000
$s_F$ = -60.1 mm	$s_{EP}$ = 22.2 mm
$s_F^*$ = 60.1 mm	$s_{AP}^*$ = -22.3 mm
$HH^*$ = -1.3 mm	$\Sigma d$ = 43.2 mm

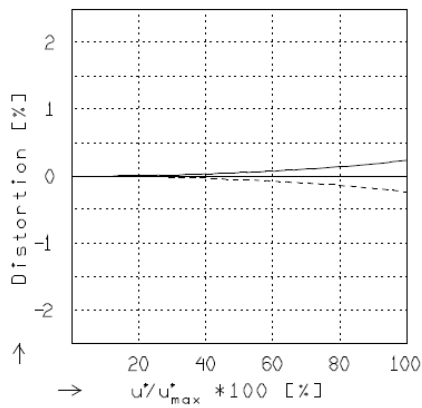


## RELATIVE ILLUMINATION

The relative illumination is shown for the given focal distances or magnifications.

$f / 5.6$        $f / 16.0$

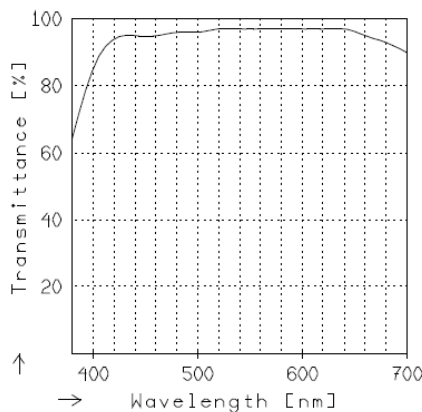
— $\beta^* = -0.5000$	$u'_{max} = 60.1$	$00^* = 369.$
- - $\beta^* = -1.0000$	$u'_{max} = 80.0$	$00^* = 328.$
--- $\beta^* = -2.0000$	$u'_{max} = 119.2$	$00^* = 369.$



## DISTORTION

Distortion is shown for the given focal distances or magnifications. Positive values indicate pincushion distortion and negative values barrel distortion.

— $\beta^* = -0.5000$	$u'_{max} = 59.9$	$00^* = 369.$
- - $\beta^* = -1.0000$	$u'_{max} = 79.8$	$00^* = 328.$
--- $\beta^* = -2.0000$	$u'_{max} = 119.2$	$00^* = 369.$



## TRANSMITTANCE

Relative spectral transmittance is shown with reference to wavelength.