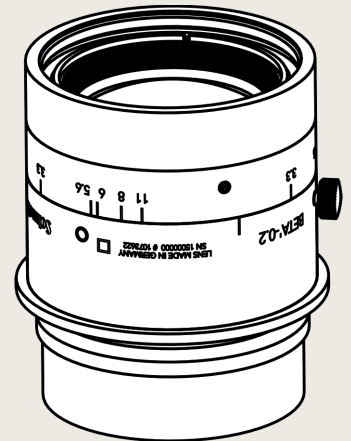


This lens with 0.2x magnification is optimized for the use with 12k (62.5 mm) line scan sensors with 5  $\mu\text{m}$  pixel, but can also be used with 16k (82 mm) lines. It is broadband coated and can be used in the spectral range of 400 - 1000 nm.

The V-Mount makes it easy to install and rotate into the desired azimuth position for a wide range of line scan applications. Performance is practically diffraction limited over the whole field. At F/#5.6 the lens is free of artificial vignetting. The Xenon-Zirconia lens is designed in a manner that even with fastest F-number, the full resolution, albeit with diminished contrast, is attained, needed for web and FPD inspection.

The Xenon-Zirconia lens series also contains lenses with magnification of 0.33x, 0.5x, 0.7x, 1.0x, 2.0x and 2.0x with beam splitter.



Xenon-Zirconia 3.3/92

## Key features

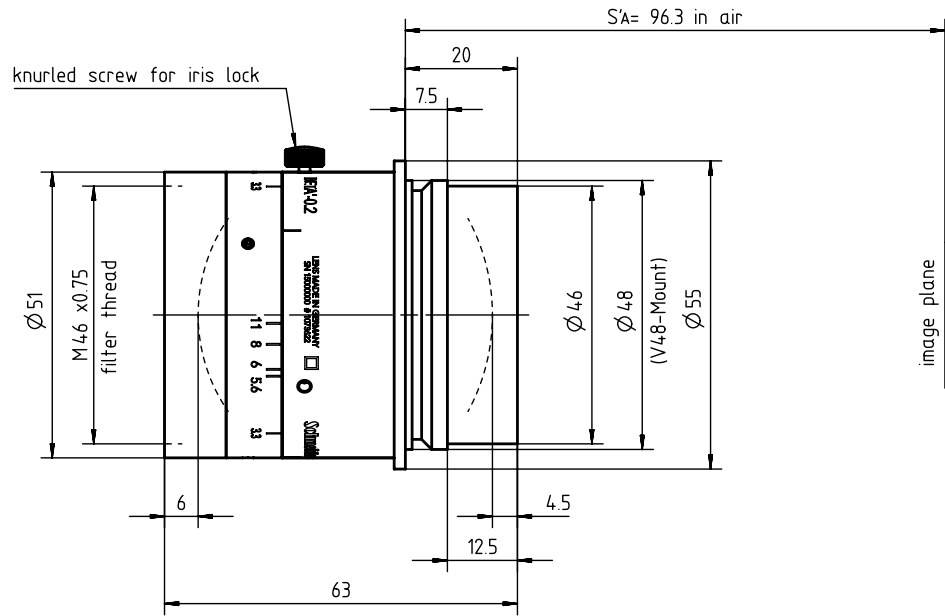
- For 12k line scan sensors with 5  $\mu\text{m}$  pixel sizes
- Vibration-insensitive for stable optical performance
- Best azimuth marking
- 400 nm to 1000 nm broadband AR coating
- Lockable distance and aperture settings
- V-Mount connection

## Applications

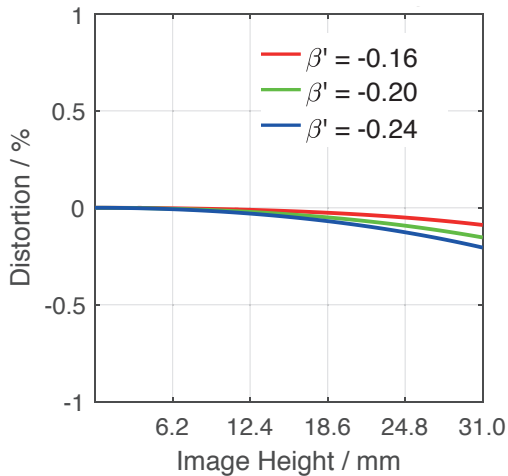
- Web and surface inspections
- Quality control
- FPD inspection
- PCB inspection
- OLED inspection
- Line scan applications

Name	Xenon-Zirconia 3.3/92
Type	-0011
Focal Length [mm]	92
Magnification	-0.2
Image circle [mm]	62
Resolution [ $\mu\text{m}$ ]	3.5
F/# range	3.3 ... 11
NA	0.15
Interface	V48-Mount
Working distance [mm]	511
AoV [°]	38
Focus control	manual
Transmission [nm]	400 - 1000
Filter thread [mm]	M46 x 0.75
Dimensions L x D [mm]	63.0 x 55.0

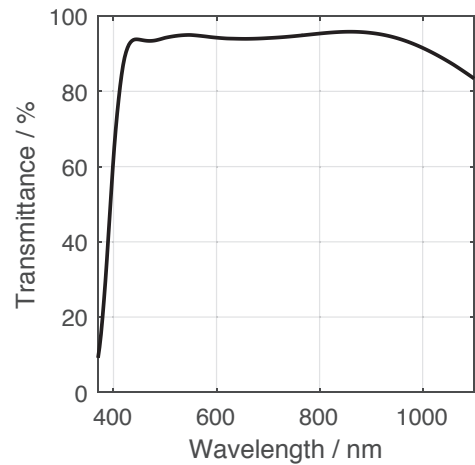
Name	Xenon-Zirconia 3.3/92
Weight [g]	250
Storage temperature [°C]	-25 ... +70
$f'_{\text{eff}}$ [mm]	91.93
$S_F$ [mm]	-51.63
$S'_F$ [mm]	62.34
HH' [mm]	-17.36
$\beta'_p$	1.079
$S_{EP}$ [mm]	33.59
$S'_{AP}$ [mm]	-36.98
$\Sigma d$ [mm]	52.54
ID	1073622



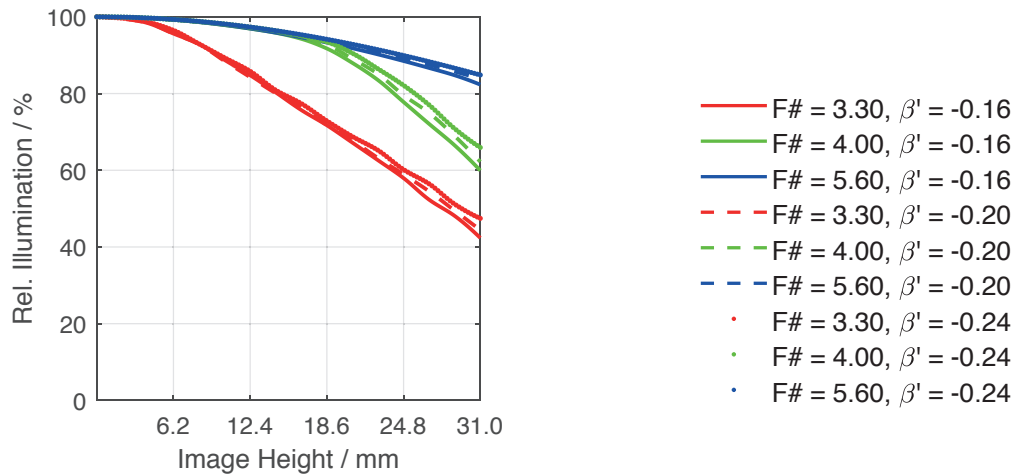
Distortion vs. Image Height



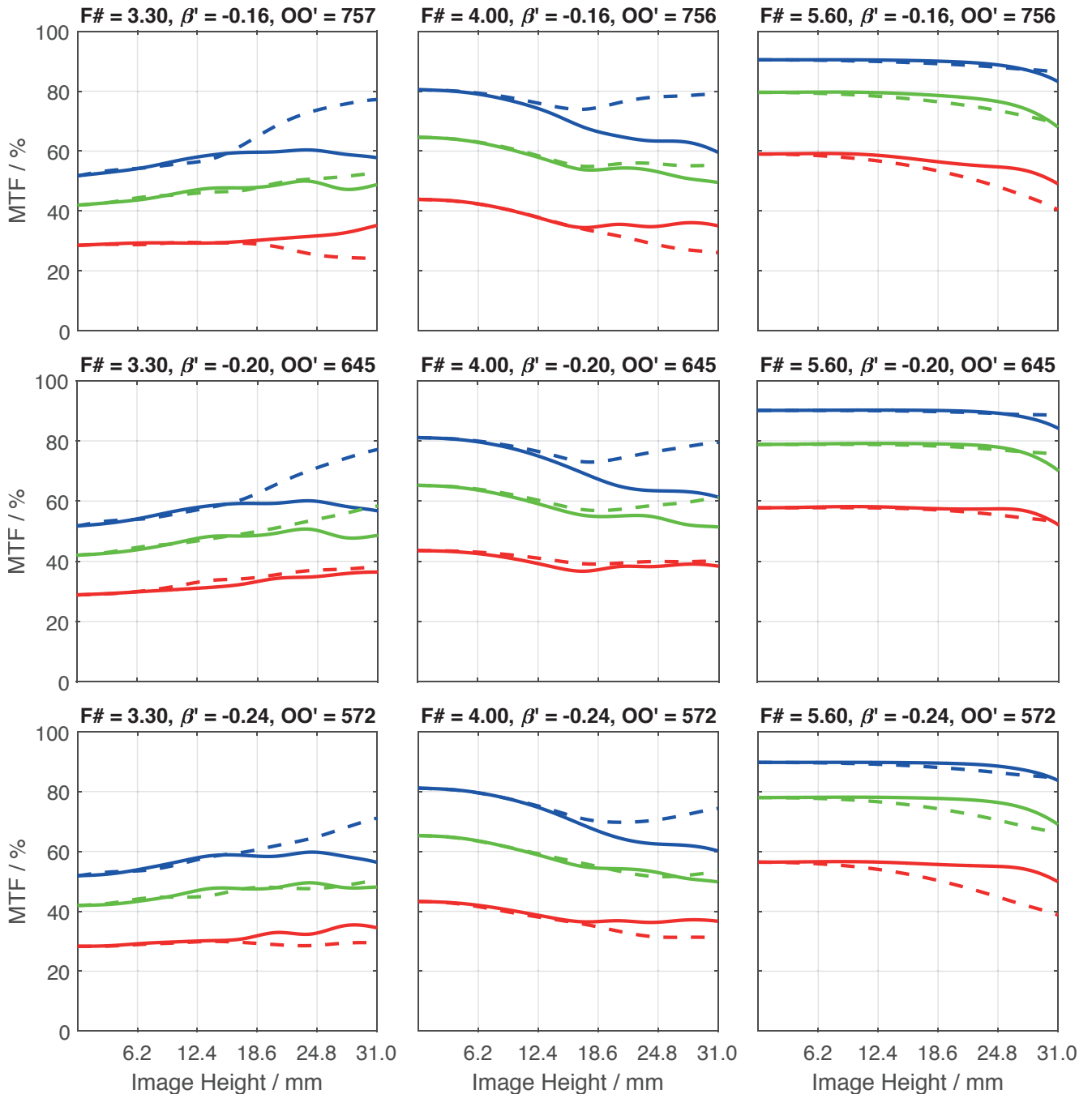
Transmittance vs. Wavelength



Relative Illumination vs. Image Height



Spectrum Name	VIS					
Wavelengths [nm]	425	475	525	575	625	675
Weights	8	16	23	22	19	13



- - - 18.0 lp/mm, tangential    - - - 36.0 lp/mm, tangential    - - - 72.0 lp/mm, tangential  
 ——— 18.0 lp/mm, radial        ——— 36.0 lp/mm, radial        ——— 72.0 lp/mm, radial

Accessories	Mount	Length	ID	
Ext. Tube	V48	10 mm	1072661	
	V48	25 mm	1072651	
	V48	50 mm	1072662	
	M72 x 0.75	5 mm	1072420	
	M72 x 0.75	10 mm	1072421	
	M72 x 0.75	25 mm	26406	
	M72 x 0.75	50 mm	1054733	
	M72 x 0.75	100 mm	1079483	
	M90 x 1	10 mm	1084875	
	M90 x 1	25 mm	1084876	
	M90 x 1	50 mm	1084877	
	M90 x 1	100 mm	1084878	
	M95 x 1	10 mm	1077290	
	M95 x 1	25 mm	1062892	
	M95 x 1	50 mm	1062893	
	M95 x 1	100 mm	1062894	
	Adapter	V 48 / C-Mount	8.5 mm	1072650
		V48 / V70 with focusing	10 mm	1075304
V70 / M72 x 0.75		-	1075304	
M72 x 0.75 / M95 x 1		4 mm	1077013	
M72 x 0.75 / M90 x 1		-	1084879	
M95 x 1 / M90 x 1		-	1084889	
V 48 / M 42 x 1		8.5 mm	1072660	
V 48 / M 42 x 0.75		8.5 mm	1072652	
V 48 / M 58 x 0.75		10 mm	1072659	

# Get more information

Contact our local offices



## Headquarter Germany

Jos. Schneider Optische Werke GmbH

Ringstraße 132

55543 Bad Kreuznach

☎ +49 671 601 205

✉ [cs@schneiderkreuznach.com](mailto:cs@schneiderkreuznach.com)

[www.schneiderkreuznach.com](http://www.schneiderkreuznach.com)

## Offices Worldwide

### China

☎ +86 755 8832 1170

✉ [shawn.liu@schneider-asiapacific.com](mailto:shawn.liu@schneider-asiapacific.com)

### North America

☎ +1 800 645 7239 (East Coast)

☎ +1 800 228 1254 (West Coast)

✉ [info@schneideroptics.com](mailto:info@schneideroptics.com)

### Singapore

☎ +65 9488 0062

✉ [thongv@schneiderkreuznach.com](mailto:thongv@schneiderkreuznach.com)