

Compact C-Mount lenses for up to 5 megapixel 1.3" sensor. This 35 mm focal length lens covers an image circle of 24 mm, which enables to achieve a large field of view at a short working distance.

The lockable focus and iris setting, a robust housing and the 400 nm to 1000 nm broadband AR coating makes this lens ideal for measurement applications in factory automation. For harsh environmental condition a ruggedized version, with special fixed mechanics is available.

A version with motorized p-iris is offered, too. Also available lenses for 1.3" sensor is a 28 mm focal length lens and a series of 5 focal lengths, high resolution anti-shading lenses.



Xenoplan 2.0/35

Key features

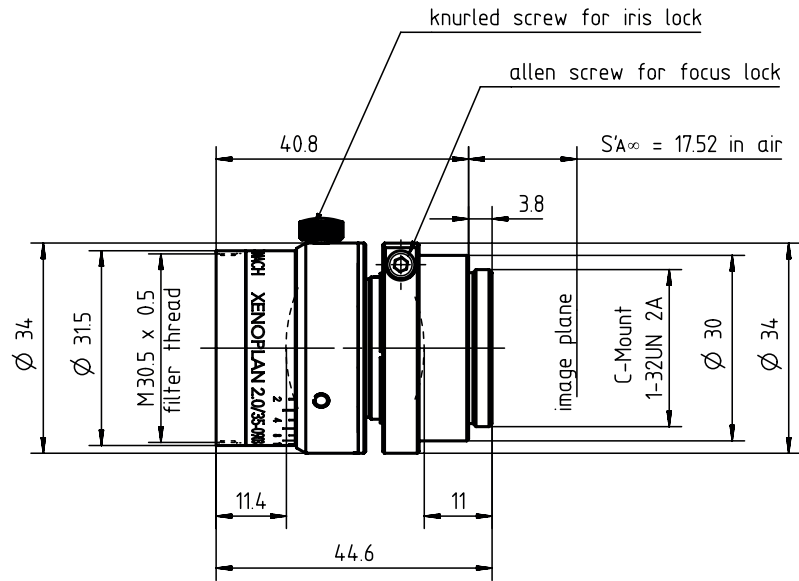
- For up to 1.3" 5 megapixel sensor
- Covers 24 mm image circle
- Version with motorized p-iris available
- 400 - 1000 nm broadband AR coating
- Ruggedized version available
- Focus and iris setting lockable

Applications

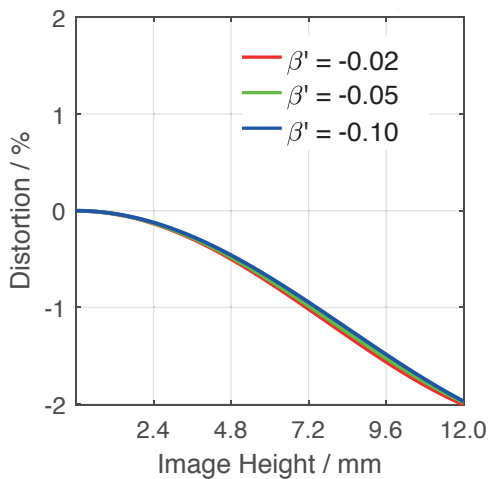
- Traffic surveillance
- 2D measurement
- Automated inspection systems

Name	Xenoplan 2.0/35
Type	-0903
Focal Length [mm]	35.07
Magnification	-0.5
Image circle [mm]	30
Resolution [μm]	6.45
F/# range	2.00 ... 16
NA	0.25
Interface	C-Mount
Working distance [mm]	80.41
AoV [°]	46.31
Focus control	manual
Transmission [nm]	400 - 1000
Filter thread [mm]	M30.5 x 0.5
Dimensions L x D [mm]	44.6 x 34.0

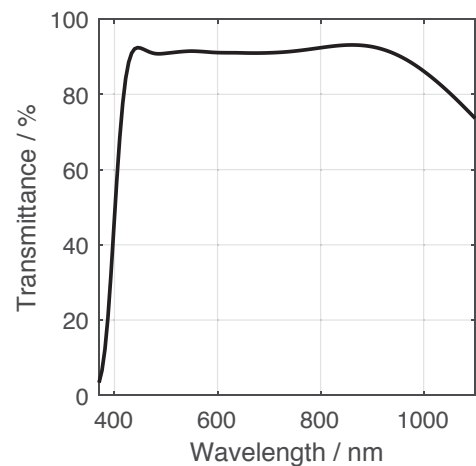
Name	Xenoplan 2.0/35
Weight [g]	90
Storage temperature [°C]	-25 ... +70
f'_{eff} [mm]	35.07
S_F [mm]	-19.18
$S'_{F'}$ [mm]	24.69
HH' [mm]	-3.88
β'_P	1.060
S_{EP} [mm]	13.92
S'_{AP} [mm]	-12.47
Σd [mm]	22.39
ID	1075451



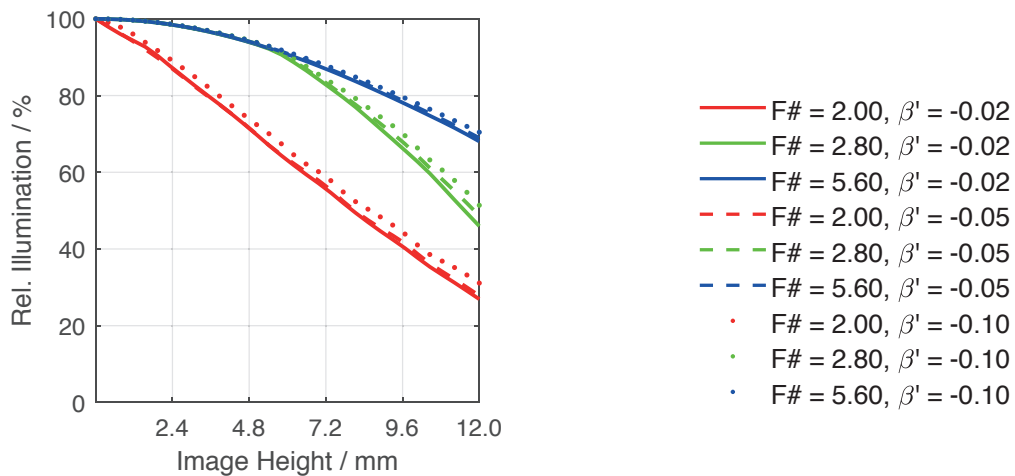
Distortion vs. Image Height



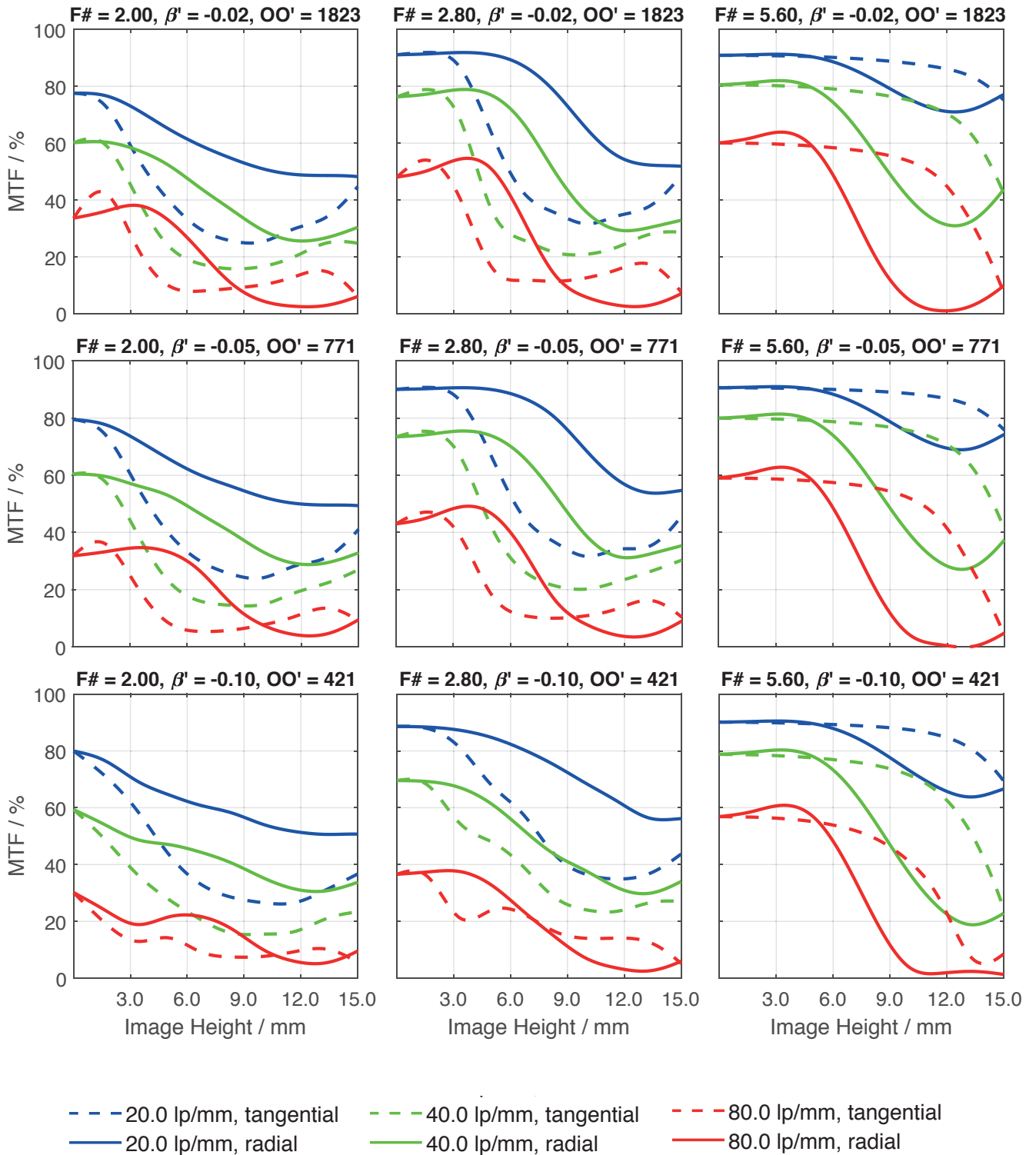
Transmittance vs. Wavelength



Relative Illumination vs. Image Height



Spectrum Name	VIS					
Wavelengths [nm]	425	475	525	575	625	675
Weights	8	16	23	22	19	13



Accessories	Mount	Length	ID
Adapter	CS-Mount Adapter	5 mm	25081
	C-Mount / M42 x 1 Adapter	-	1075817
Ext. Tube	C-Mount	5 mm	39316
	C-Mount	8 mm	39315
	C-Mount	10 mm	39312

Get more information

Contact our local offices



Headquarter Germany

Jos. Schneider Optische Werke GmbH

Ringstraße 132

55543 Bad Kreuznach

☎ +49 671 601 205

✉ cs@schneiderkreuznach.com

www.schneiderkreuznach.com

Offices Worldwide

China

☎ +86 755 8832 1170

✉ shawn.liu@schneider-asiapacific.com

North America

☎ +1 800 645 7239 (East Coast)

☎ +1 800 228 1254 (West Coast)

✉ info@schneideroptics.com

Singapore

☎ +65 9488 0062

✉ thongv@schneiderkreuznach.com