

Compact C-Mount anti-shading lenses for up to 12 megapixel 1.3" sensor with lenslet on the pixel. This 35 mm focal length lens covers an image circle of 24 mm, which enables to achieve a large field of view at a short working distance.

The lockable focus and iris setting, a robust housing and the 400 nm to 1000 nm broadband AR coating makes this lens ideal for measurement applications in factory automation.

A version with motorized p-iris is available on request. The series of anti-shading lenses for 1.3" sensor is completed with lenses of 16 mm, 20 mm, 24 mm and 50 mm focal length.



Apo-Xenoplan 2.0/35

## Key features

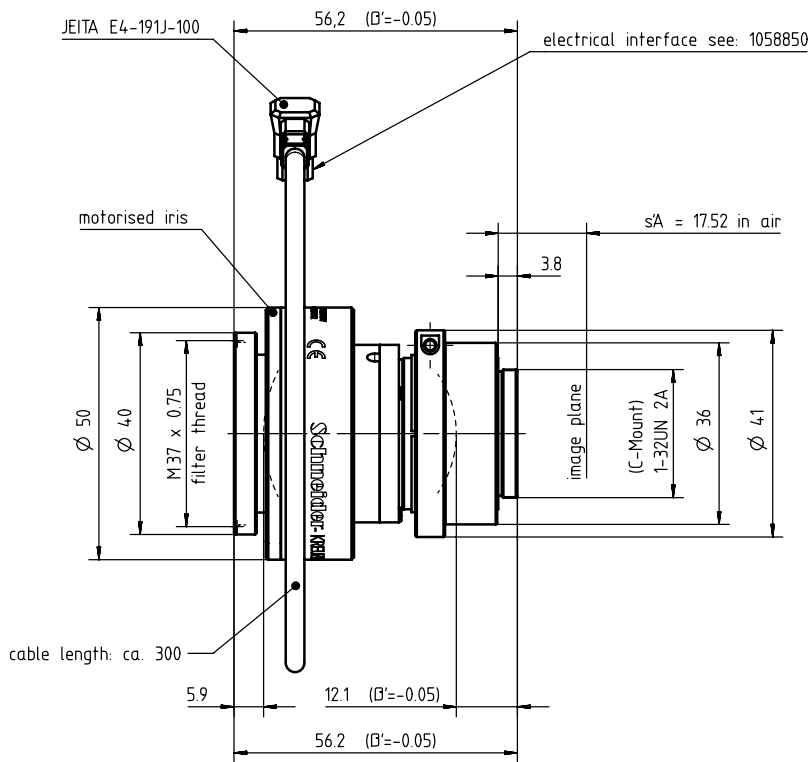
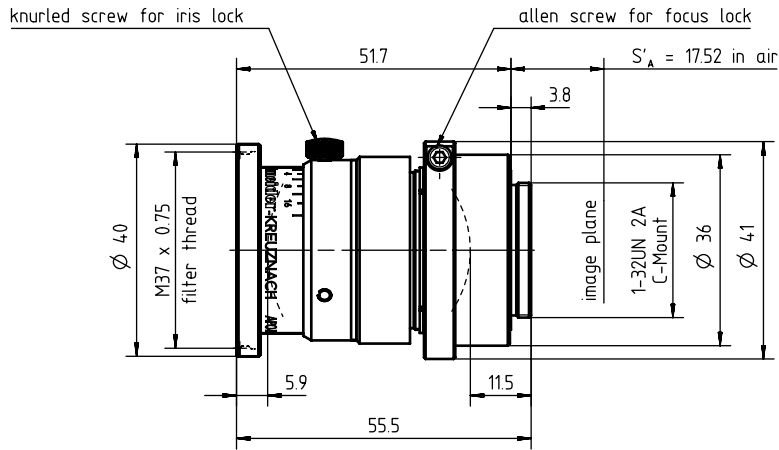
- Anti-shading lens for up to 1.3" 12 megapixel sensor with lenslet
- Covers 24 mm image circle
- Version with motorized p-iris on request
- 400 - 1000 nm broadband AR coating
- Focus and iris setting lockable

## Applications

- 3D measurement
- 2D measurement
- Traffic surveillance

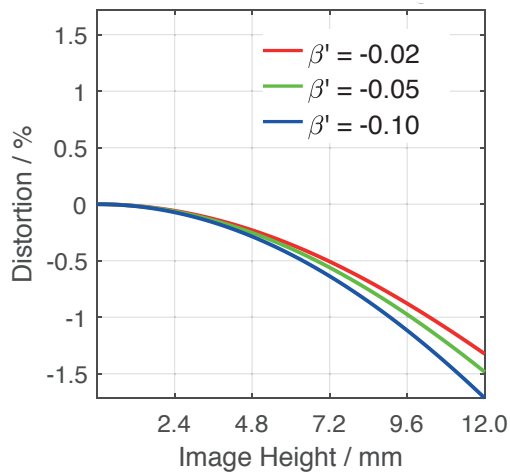
Name	Apo-Xenoplan 2.0/35
Type	-2001   -1901
Focal Length [mm]	35
Magnification	-0.2
Image circle [mm]	24
Resolution [ $\mu\text{m}$ ]	3.65
F/# range	2 ... 11
NA	0.25
Interface	C-Mount
Working distance [mm]	$\infty$ - 173
AoV [°]	37
Focus control	manual
Transmission	400 - 1000 nm
Filter thread [mm]	M37 x 0.75
Dimensions L x D [mm]	57.3 x 50.0

Name	Apo-Xenoplan 2.0/35
Weight [g]	204
Storage temperature [°C]	-25°C ... +70°C
$f'_{\text{eff}}$ [mm]	35.08
$S_F$ [mm]	1.63
$S'_F$ [mm]	25.18
HH' [mm]	-8.38
$\beta'_P$	1.981
$S_{EP}$ [mm]	19.34
$S'_{AP}$ [mm]	-44.29
$\Sigma d$ [mm]	38.22
ID	1006219
ID Motorized p-iris	1076612

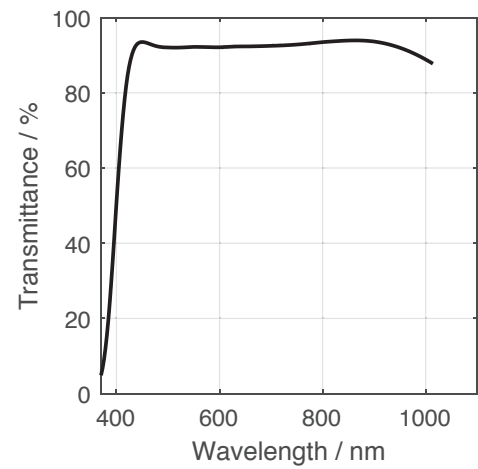


Motorized p-iris

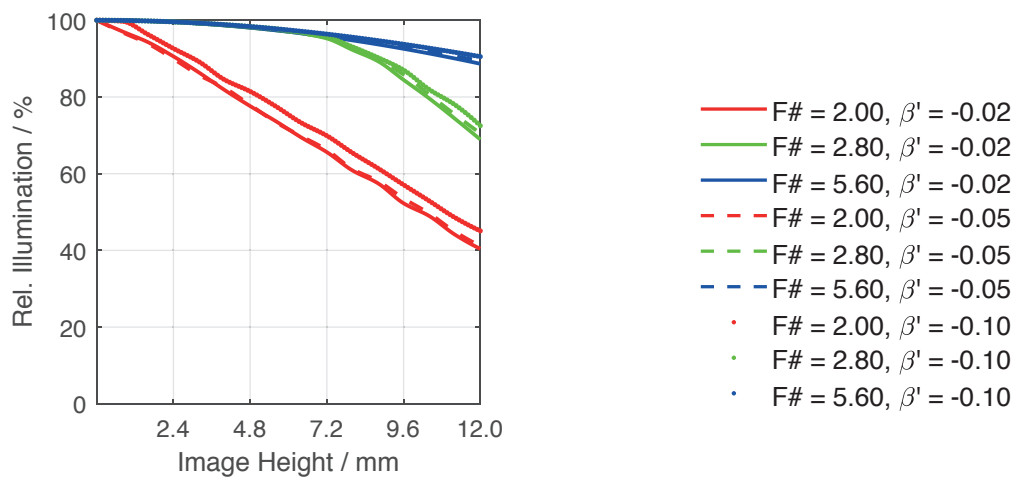
## Distortion vs. Image Height



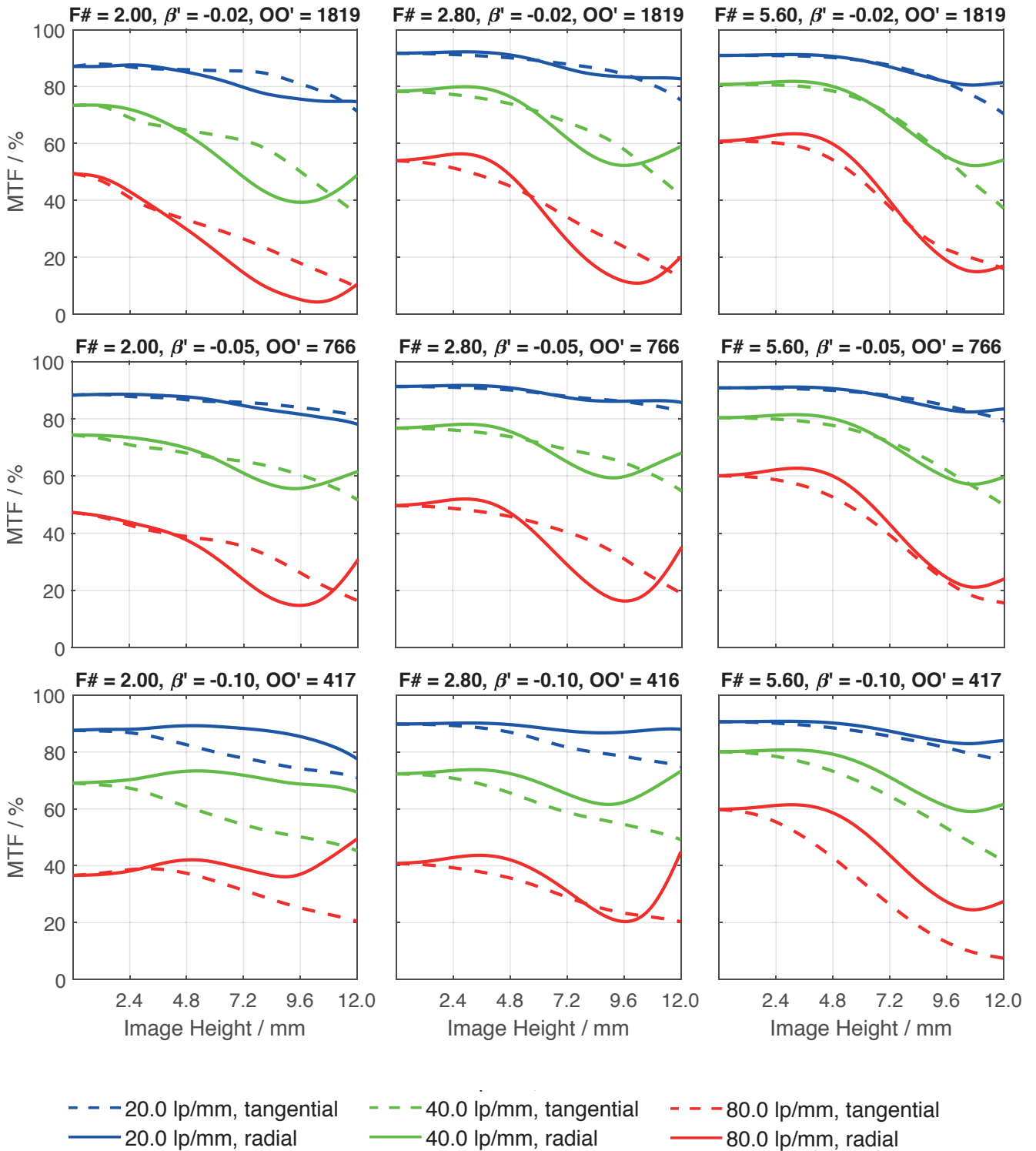
## Transmittance vs. Wavelength



## Relative Illumination vs. Image Height



Spectrum Name	VIS					
Wavelengths [nm]	425	475	525	575	625	675
Weights	8	16	23	22	19	13



Accessories	Mount	Length	ID
Adapter	CS-Mount Adapter	5 mm	25081
	C-Mount / M42 x 1 Adapter	-	1075817
Ext. Tube	C-Mount	5 mm	39316
	C-Mount	8 mm	39315
	C-Mount	10 mm	39312

# Get more information

Contact our local offices



## Headquarter Germany

Jos. Schneider Optische Werke GmbH

Ringstraße 132

55543 Bad Kreuznach

☎ +49 671 601 205

✉ [cs@schneiderkreuznach.com](mailto:cs@schneiderkreuznach.com)

[www.schneiderkreuznach.com](http://www.schneiderkreuznach.com)

## Offices Worldwide

### China

☎ +86 755 8832 1170

✉ [shawn.liu@schneider-asiapacific.com](mailto:shawn.liu@schneider-asiapacific.com)

### North America

☎ +1 800 645 7239 (East Coast)

☎ +1 800 228 1254 (West Coast)

✉ [info@schneideroptics.com](mailto:info@schneideroptics.com)

### Singapore

☎ +65 9488 0062

✉ [thongv@schneiderkreuznach.com](mailto:thongv@schneiderkreuznach.com)